

- Fully controls auto-feed functions
- Bright color LCD display
- Dual user configurable quad display
- Multi-level programming access
- Smart machine/system diagnostics on I/O screens
- Displays SAE J1939 parameters
- Tier IV and Stage IIIB/IV compliant
- J1939 fault logging and display of active faults
- Controls throttle via J1939
- PWM capable
- Easy home button



- The IQ View is a smart display and controller that presents engine and machine parameters to the operator as well as controls the auto-feed function on chippers and grinders. As a display unit, the user can select four parameters to display simultaneously. A second page can also be set to display four additional parameters. Either of the pages is easily selected for viewing.
- Machine and system diagnostics are displayed prominently across the top of the unit.
- The IQ VIEW is compliant with Tier IV and Stage IIIB/IV to meet the latest requirements including regeneration.
- A password protected multi-level menu is used for setup.
- No computer is required for field configuration.
- Specific I/O for extra functionality, such as autofeed control for chippers, electronic clutches, and many more.

Display Parameters

Auto-Feed Status
 Signal Status
 Engine Hours
 Engine RPM

Oil Pressure
 System Voltage
 Oil Temperature

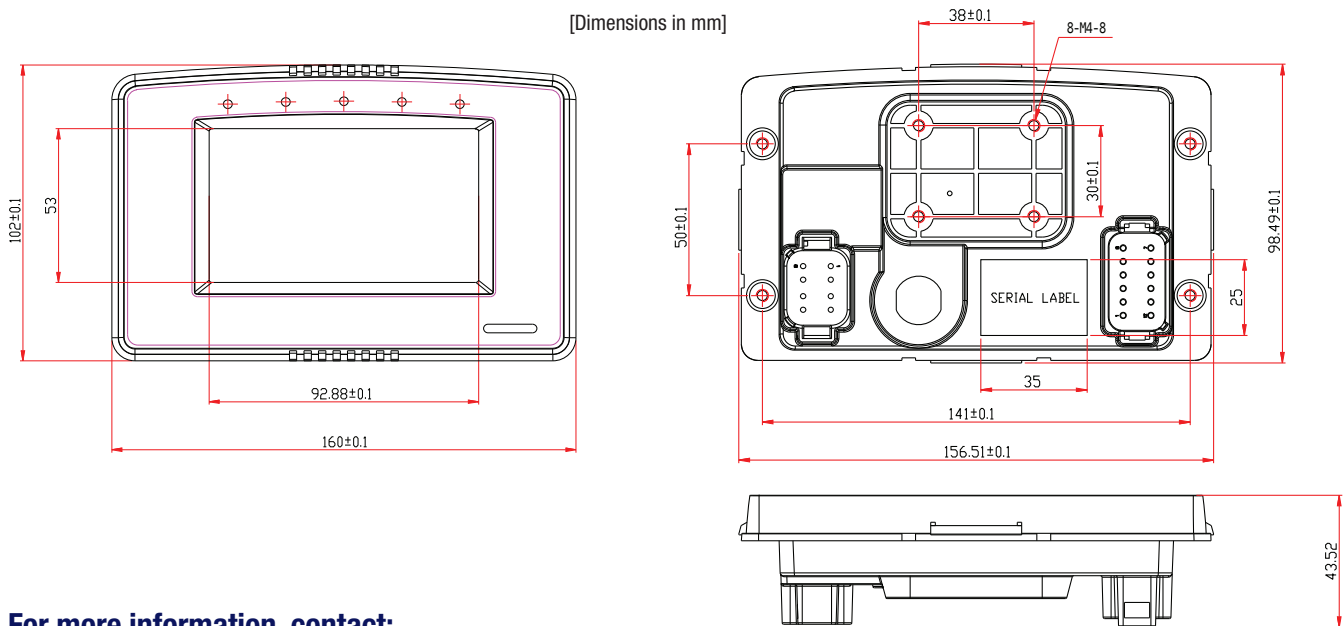
Specifications

Load Dump Protection
 Operating Temperature -40 to 85°C
 Display Viewing Temperature -30 to 85°C
 Environmental Sealing IP67
 Power Requirement 200mA @ 12VDC
 CANBUS J1939
 Polycarbonate/ABS Construction
 2 - 12 Amp Digital Outputs
 Operating Voltage 6-36 VDC
 Reverse Polarity Protection

Overvoltage Protection 48VDC Indefinite
 Sourcing and Sinking Configuration Available
 Vibration 7.86g random (5 - 2000Hz)
 Shock ±50g shock 3 axis
 USB Capable
 Ethernet Capable
 Connector 1 Deutsch DT04-8P
 Connector 2 Deutsch DT04-12P
 Programming Connector M12 Quick Disconnect 8 Pin

Dimensions

[Dimensions in mm]



For more information, contact: