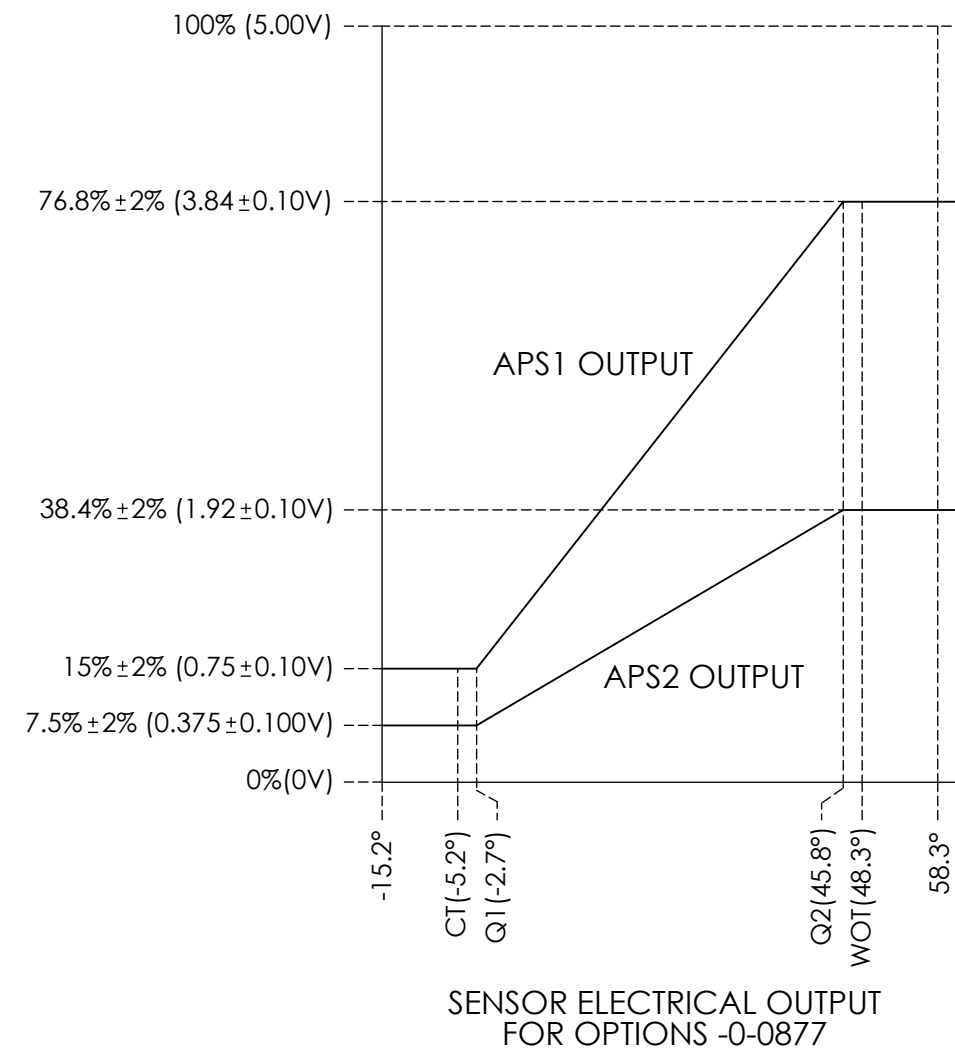
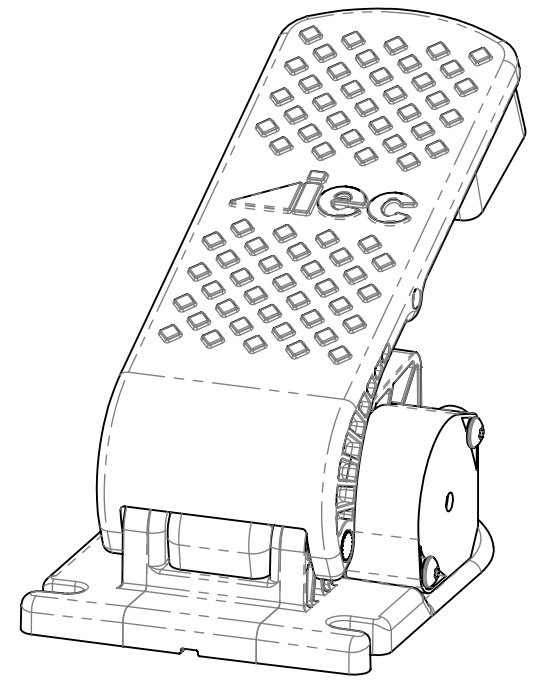
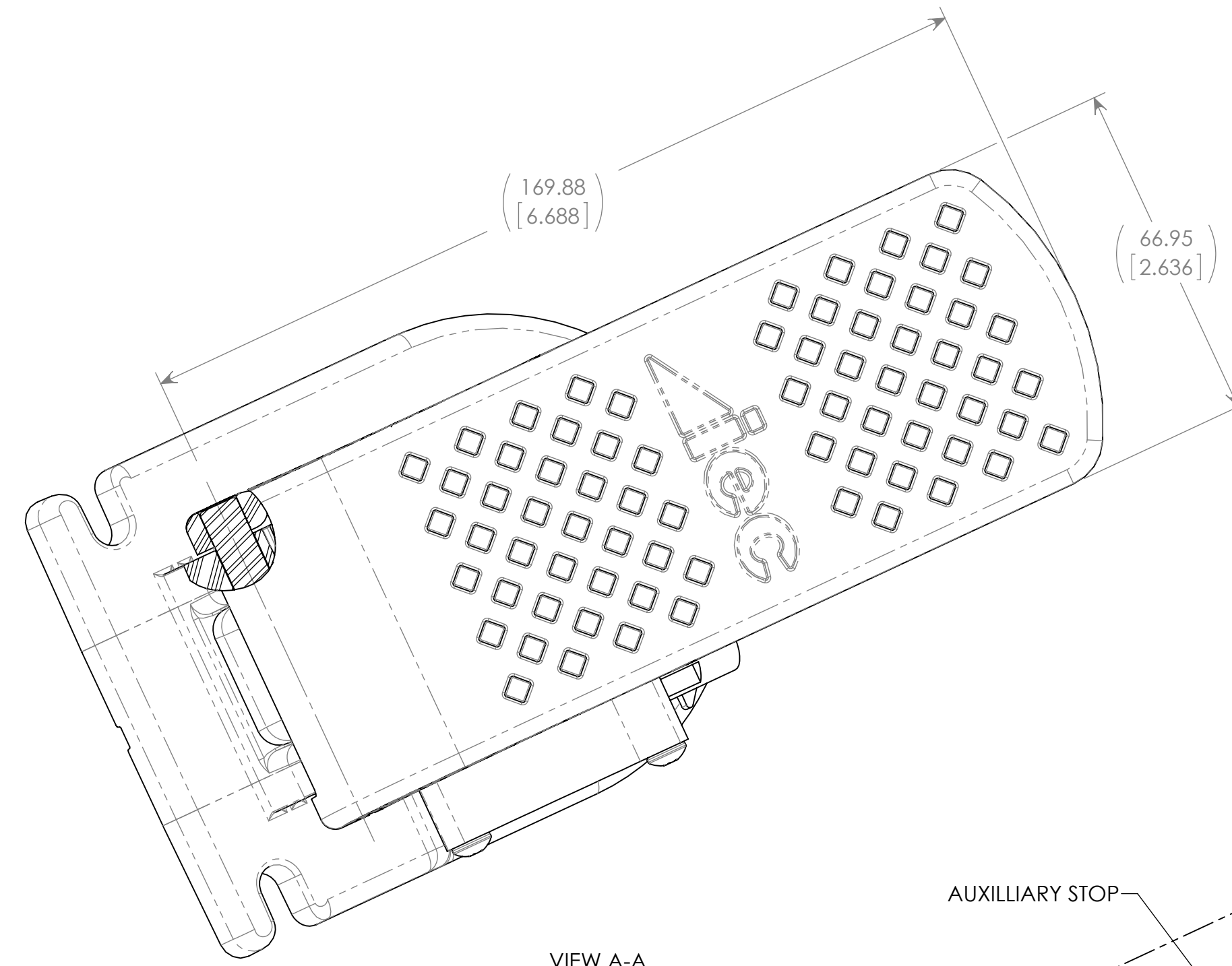
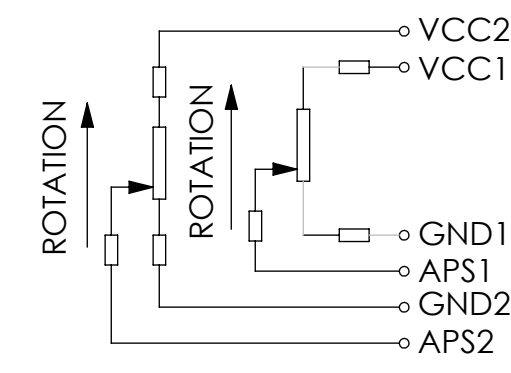


NOTES:
 1. THIS DRAWING APPLIES TO THE PEDALS OF THE 10467 PRODUCT LINE THAT ARE SET AT A 25 DEGREE RESTING ANGLE WITH AN AUXILIARY STOP INSTALLED.

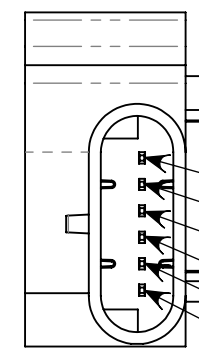
2. SENSOR ELECTRICAL SPECIFICATIONS:
- ELECTRICAL ANGLE: 48.5°±1°
 - RECOMMENDED SUPPLY VOLTAGE: DC 5V
 - MAX PERMISSABLE APPLIED VOLTAGE: DC 16V
 - LINEARITY: ±2%
 - TWO-WAY VOLTAGE SYNCHRONICITY: $\leq 1.4\%$
 - REPEATABILITY: $\leq 0.1\%$
 - APS1 TOTAL RESISTANCE: 2.74K Ω
 - APS2 TOTAL RESISTANCE: 5.22K Ω
 - RESISTANCE TOLERANCE: ±20%
 - INSULATING RESISTANCE: >10M Ω
3. SENSOR MECHANICAL SPECIFICATIONS:
- ROTATION ANGLE: 73.5°±1°
 - WEIGHT: 42 G
4. SENSOR ENVIRONMENTAL SPECIFICATIONS:
- PROTECTION CLASS: IP66
 - TEMPERATURE RANGE: -40°C TO 85°C
 - LIFETIME: >3,000,000 CYCLES



SENSOR ELECTRICAL OUTPUT FOR OPTIONS -0-0877

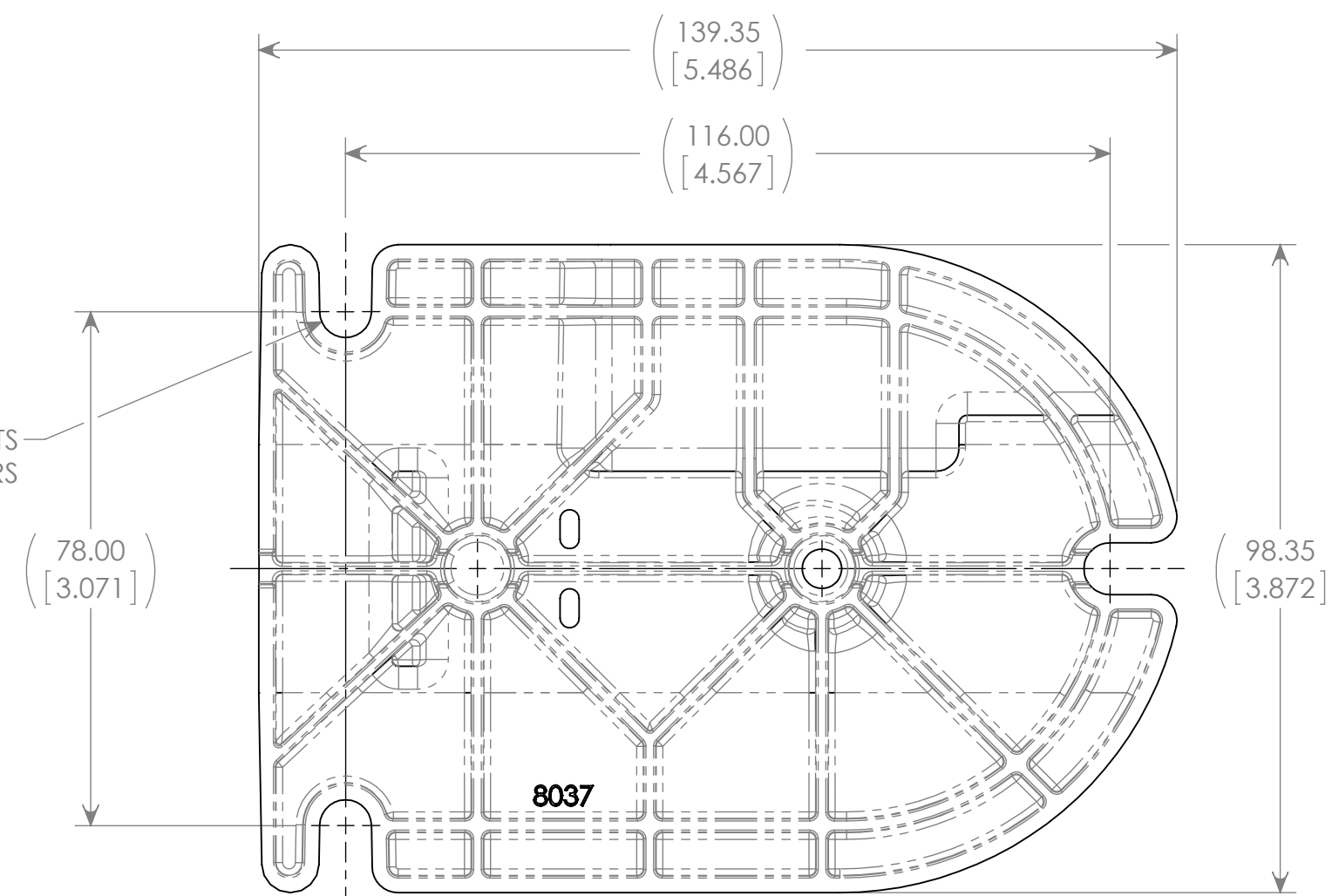
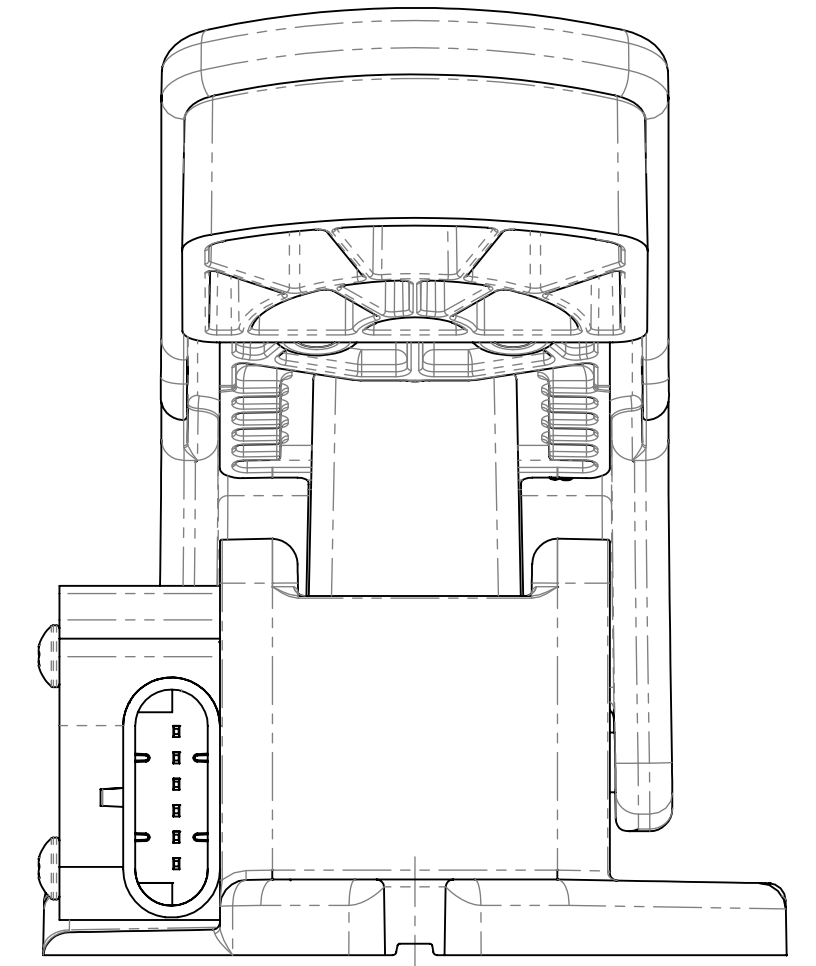
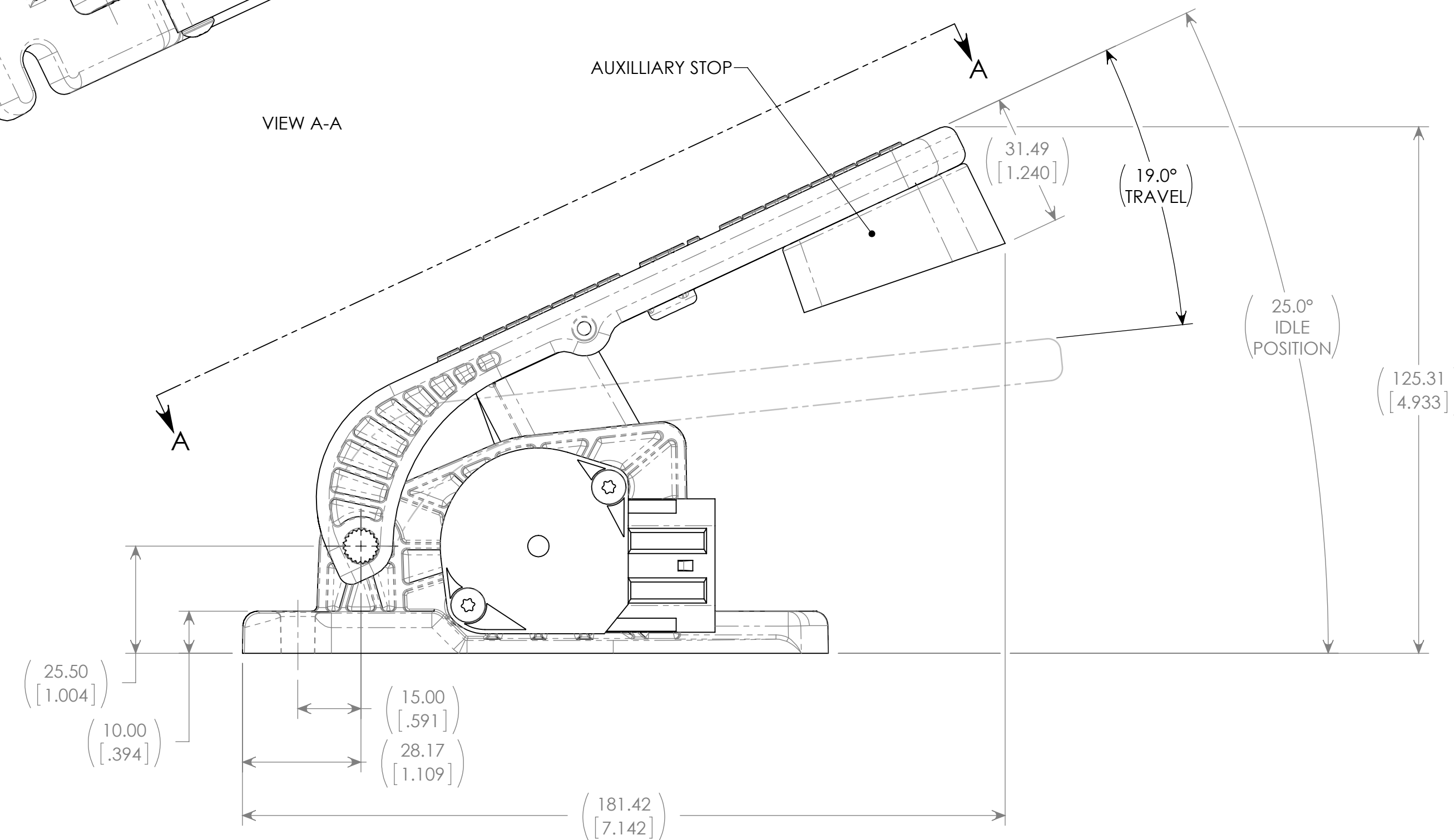
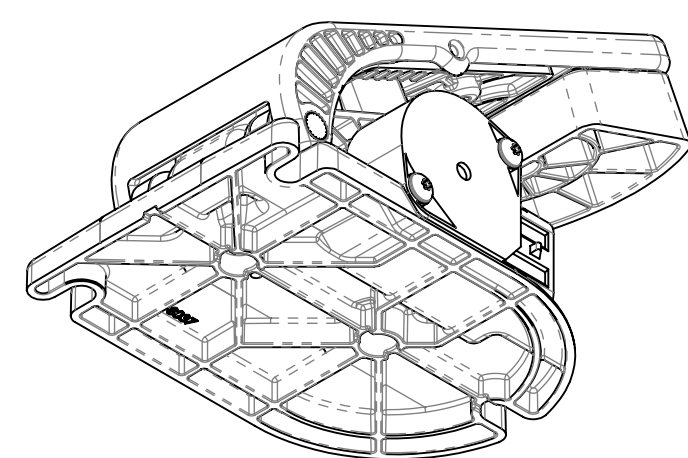


SENSOR CIRCUIT FOR OPTIONS -0-0877



SENSOR PINOUT FOR OPTIONS -0-0877	
A	APS1
B	GND1
C	VCC1 (+5V)
D	VCC2 (+5V)
E	GND2
F	APS2

MATING CONNECTOR: DELPHI METRI-PACK 12162661 OR 12162260



10467-XX-X-X-XXXX

RESTING ANGLE
 25 - 25° RESTING ANGLE
 ** - OTHERS UPON REQUEST

AUXILIARY STOP OPTION
 0 - NO STOP
 1 - STANDARD STOP
 * - OTHERS ON REQUEST

SENSOR OUTPUT
 0877 - OUT1 15% TO 77%, OUT 2 8% TO 38%
 1377 - 13% TO 77%
 * - OTHERS ON REQUEST

SENSOR CONFIGURATION
 0 - 5K, DUAL ANALOG OUT
 S - 5K, ONE ANALOG AND ONE N.C AND N.O IVS
 * - OTHERS ON REQUEST

STANDARD PART #
 10467-25-1-0-0877

UNITS IN millimeter [inch]

PART #
 10467-XX-X-X-XXXX